

EFC Series



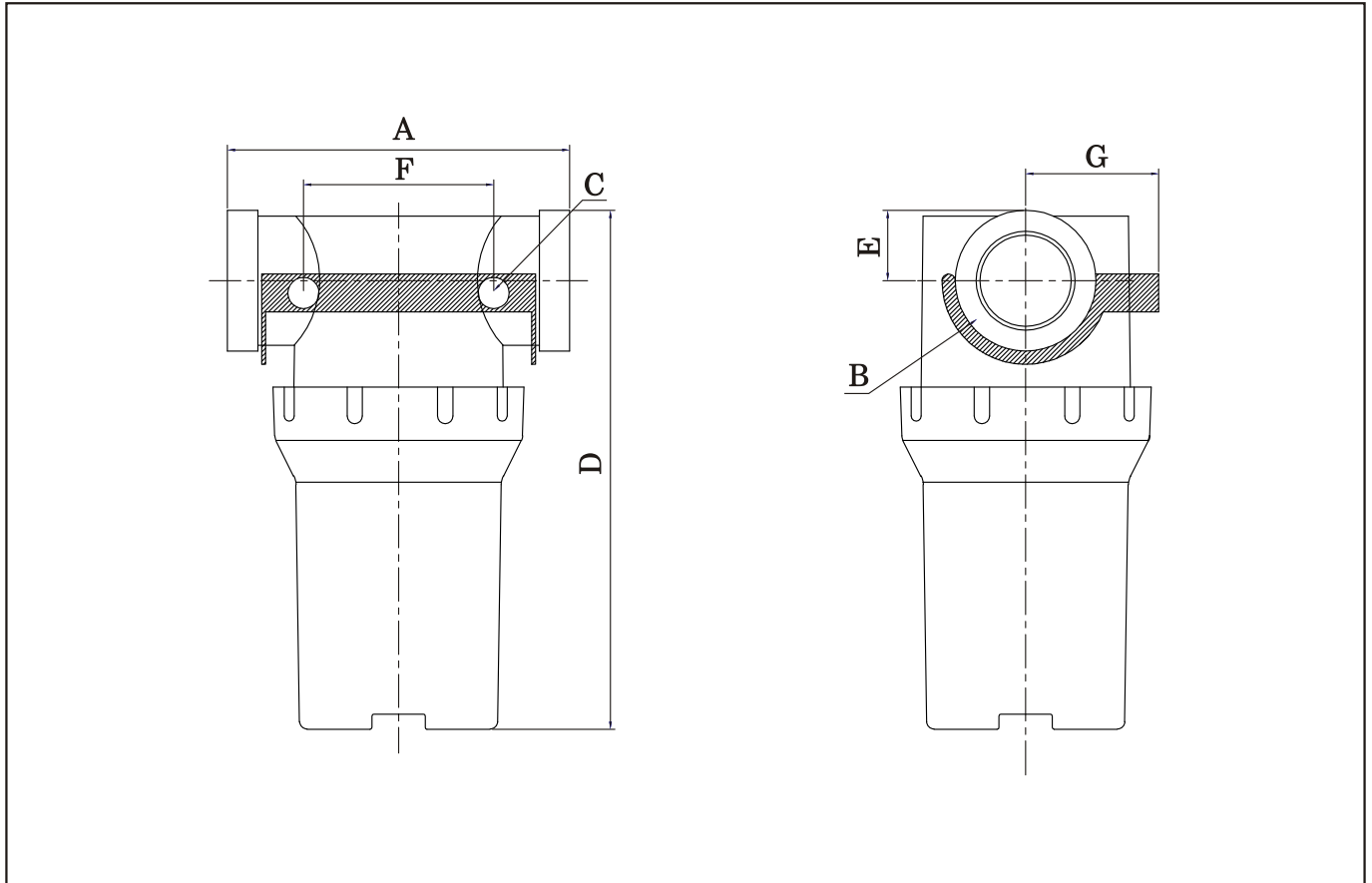
◆ 진공 성능표

MODEL	배관사양
EFC-10	G 3/8"
EFC-15	G 1/2"
EFC-20	G 3/4"
EFC-25	G 1"

◆ 사양

		EFC-10	EFC-15	EFC-20	EFC-25
Pressure range	bar	-1~0			
Material		PA,PC,PE			
Temperature range	°C	-20~80			
Removal efficiency	μm	10			
Weight	g	70	170	170	424
Flow nominal	l/m	150	900	900	2500
Internal volume	cm ³	45	200	200	490
Filter area	cm ²	0.003	0.010	0.010	0.020

◆ 외형도



◆ 사양 (mm)

MODEL	EFC-10	EFC-15	EFC-20	EFC-25
A	76mm	91mm	91mm	126mm
B	2-G3/8"	2-G1/2"	2-G3/4"	2-G1"
C	2- \varnothing 6.5	2- \varnothing 8.5	2- \varnothing 8.5	2- \varnothing 10.5
D	71mm	131mm	138mm	167mm
E	14mm	16mm	18.5mm	23mm
F	45mm	50mm	50mm	80mm
G	27mm	40mm	40mm	56mm

◆ 진공 성능표 (Filter element)

MODEL	WEIGHT	TYPE	REMOVAL EFFICIENCY
EFC-10E	7 g	3/8"	10 μ m
EFC-15E	26 g	1/2"	10 μ m
EFC-20E	26 g	3/4"	10 μ m
EFC-25E	50 g	1"	10 μ m