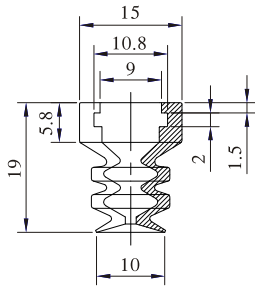
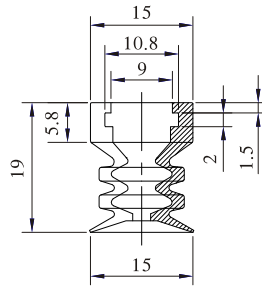


VACUUM PAD

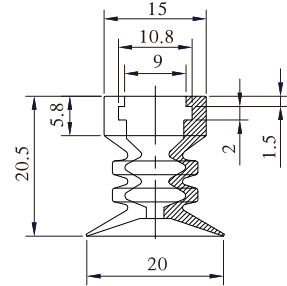
PME



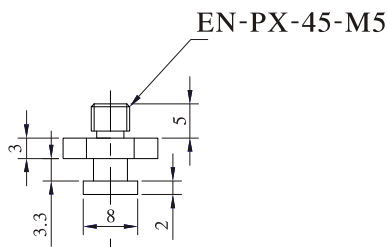
PME-10



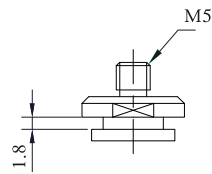
PME-15



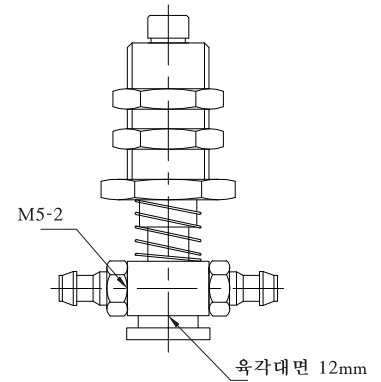
PME-20



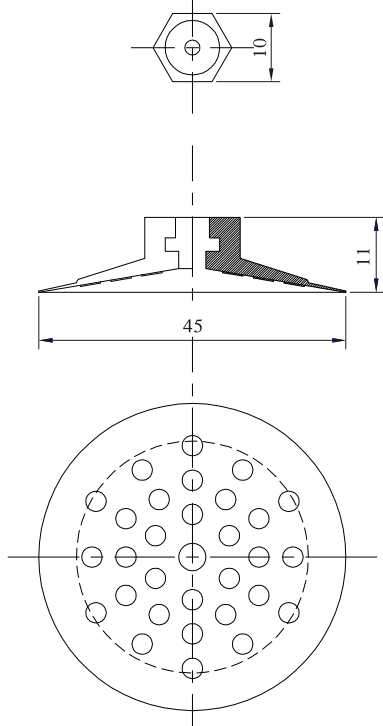
EN-PX-45-M5



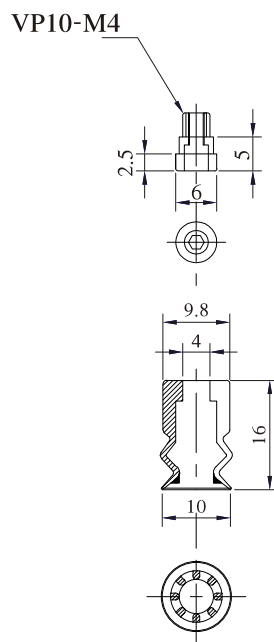
EN-PM10~20-M5



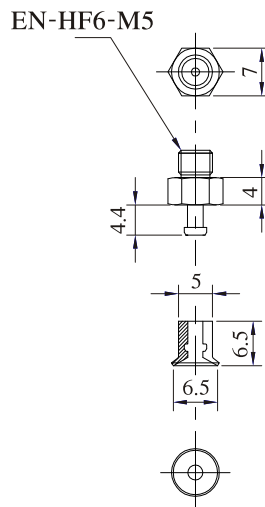
EMT12-ST5



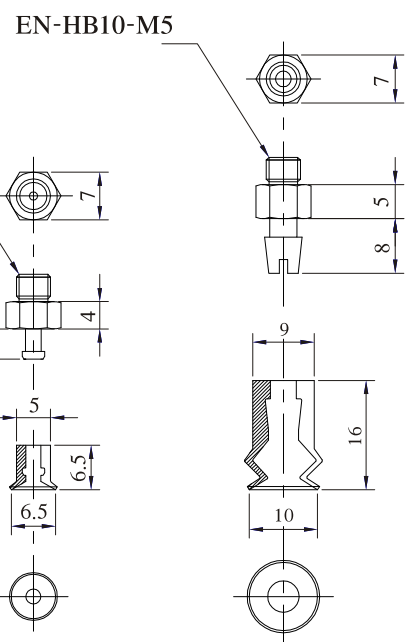
PXE-45



VPE-10B



HFE-6



HBE-10