



**Features**

- ◇ Large bellows,suitable for handling workpiece for height difference.
- ◇ Good sealing with flat and thin lip.
- ◇ Large flow,handling objects quickly.
- ◇ Silicone material, working temperature range(-40~200°C)

**Applications**

- ◇ Suitable for handling bags with irregular shapes.
- ◇ Frozen food bags
- ◇ Water bags

**Usage**

SBLP series suction cup have a large inner space due to the multi bellows design. While handling light and thin workpiece(such as thin plastic bags, paper, etc.),the workpiece usually deforms and it will be sucked into the inner space of suction cup. Therefore, AIRBEST offers an improved solution with a special plug at the bottom to prevent excessive deformation of the workpiece and ensure normal suction.

T1(White round plug):For thin and soft workpiece with large deformation.

T2(Blue flower shape plug):For slightly hard workpiece with small deformation.

**How to order**

**SBLP 30 S - G2M - T2**

①      ②      ③      ④      ⑤

① Series	② Diameter	③ Material & Hardness	④ Connection thread	⑤ Plug
SBLP	30 - φ30mm 40 - φ40mm 50 - φ50mm	S - Silicone <span style="background-color: red; color: white; padding: 2px;">40</span>	Nil - Suction cup alone G2M - G1/4 Male thread G3M - G3/8 Male thread G4M - G1/2 Male thread	Nil - Without plug T1 - Round plug (White) T2 - Flow shape plug (Blue)

**Selection**

Model/ Connection thread	G2M	G3M	G4M	T1	T2
SBLP30	●	—	—	○	●
SBLP40	—	●	—	●	●
SBLP50	—	—	●	○	●

◇Note: "●"- standard, in stock. "○"-selective,no stock."—"-unavailable.

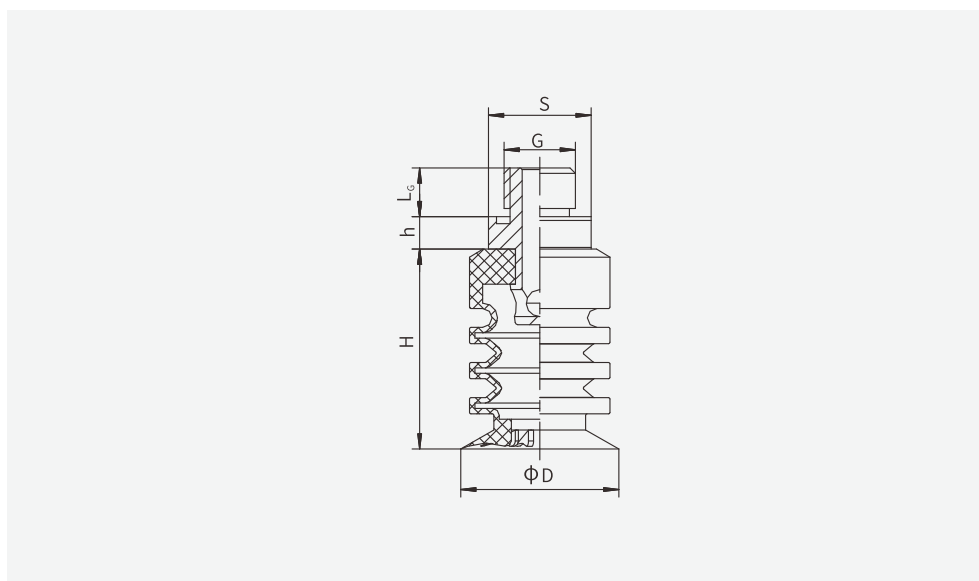
- SB
- SBA
- SBB
- SBF
- SBOF
- SFT
- STP
- SBL
- SBLP**
- SF
- SU
- SUF
- SFG
- STC
- SFF
- SFM
- SDM
- SOB
- SOF
- SOG
- SFP
- SBP
- SXP
- SGP
- SDL
- SH
- SHB
- SZ
- SAN
- SAO
- SPA
- SPC
- SPF
- SPJ
- SPU
- SNP
- SOP

**Technical parameters**

Model	Pull-out force (N)	Inner volume (cm <sup>3</sup> )	Min. curve radius of workpiece (mm)	Recommended hose dia. (mm)
<b>SBLP30</b>	9	8	17	8
<b>SBLP40</b>	15	14	22	8
<b>SBLP50</b>	25	38	30	10

◇Note: Testing vacuum level -60kPa. Workpiece with smooth and clean surface. The data of pull-out force as above are figured out without considering safety factor. The data may be different according to different workpiece surfaces.

**Dimensions (mm)**



Model/ Size	D	H	h	L <sub>c</sub>	G	S
<b>SBLP30-G2M</b>	30	36.5	6	9	G1/4	19
<b>SBLP40-G3M</b>	40	40	6	10	G3/8	22
<b>SBLP50-G4M</b>	50	55	6	10	G1/2	28

**Mounting parts**

Item	Model	Applicable suction cup
<b>Fitting for suction cup</b>	PJS-G2M-SBLP30	SBLP30
	PJS-G3M-SBLP40	SBLP40
	PJS-G4M-SBLP50	SBLP50

◇Note: Please refer to suction cup with locking fitting and level compensator on page 24.