

**Features**

- ◇ Suitable for very rough and uneven surface and all other applications in which traditional suction cups can't be used.
- ◇ NF(black) is suitable for handling workpiece with rough surface and for outdoor use. Good weather and ozone aging resistance, but poor in yield elasticity and storage stability. It is not suitable for food industry.
- ◇ OF(orange) is suitable for handling workpiece with a very rough surface. It has good yield elasticity, wear resistance, tear resistance, high cut resistance and good malleability, but poor in oil resistance, heat resistance and aging resistance. It is not suitable for food industry.
- ◇ Various sizes suitable for workpiece of different sizes.

**Applications**

- ◇ Buckle plate
- ◇ Tile
- ◇ Marble
- ◇ Cement board
- ◇ Grid metal plat

**Usage**

◇ The sponge lip can compensate the gap on the rough surface, which can be used in the occasion that the general suction cup cannot suck the workpiece firmly. However, more attention needs to be paid while using due to its poor tear resistance. The sponge lip only has the sealing function and cannot handle the pulling condition. Hence, firstly be sure to press the flat rectangular foam rubber pad and the workpiece to the limit, and then open the vacuum to pick up the workpiece. When releasing the workpiece, firstly place it in the specified position, then stop vacuum in order to protect the sponge lip from tearing. Please consult with customer service if any thing unclear in actual operation.

**How to order**

**SOP 40 NF - G2F**

- ①
- ②
- ③
- ④

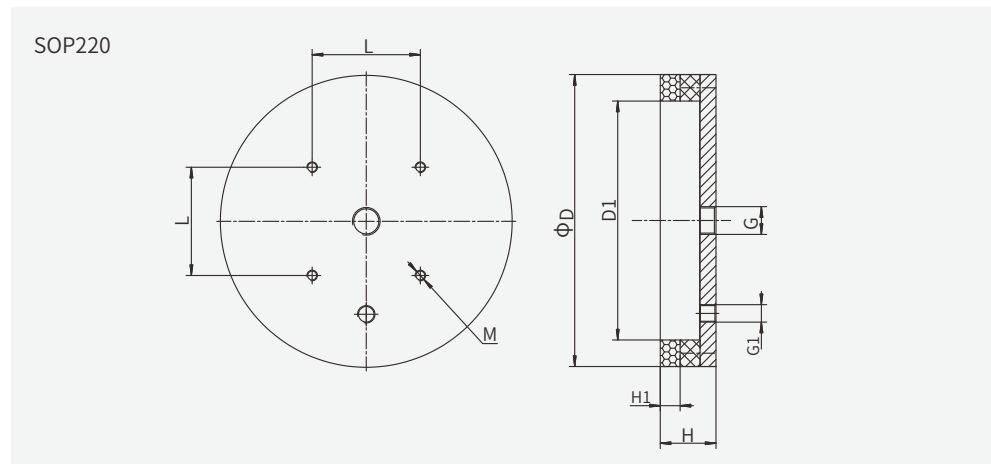
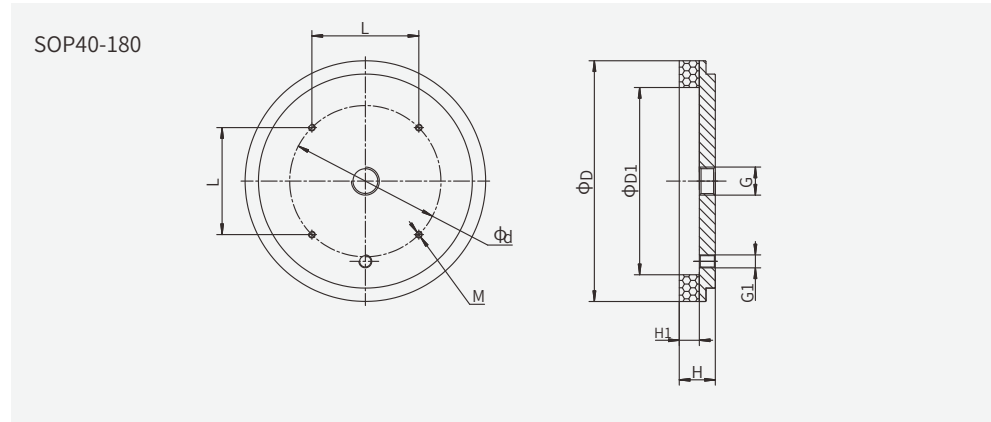
① Series	② Diameter	③ Material & Hardness	④ Connection thread
SOP	40 -φ40mm	NF - Neoprene foam rubber <span style="display:inline-block; width:10px; height:10px; background-color:black;"></span>	G2F - G1/4 Female thread
	64 -φ64mm	OF - Geranium foam rubber <span style="display:inline-block; width:10px; height:10px; background-color:orange;"></span>	G3F - G3/8 Female thread
	92 -φ92mm		G4F - G1/2 Female thread
	127 -φ127mm		
	180 -φ180mm		
	220 -φ220mm		

**Selection**

Model/ Connection thread	G2F	G3F	G4F
SOP40	●	—	—
SOP64	●	—	—
SOP92	—	●	—
SOP127	—	—	●
SOP180	—	—	●
SOP220	—	—	●

◇Note: "●"- standard, in stock. "—" -unavailable.

**Dimensions (mm)**



Model/ Size	Pull-out force (N)	D	D1	H	H1	G1	L	M	d	G
SOP40	7.8	40	20	25	15	—	—	—	—	G1/4
SOP64	35	64	40	25	15	—	—	—	40	G1/4
SOP92	85	92	64	26	15	—	—	4—M5	70	G3/8
SOP127	175	127	92	30	15	G1/8	70	4—M5	—	G1/2
SOP180	385	180	127	27	15	G1/8	80	4—M5	—	G1/2
SOP220	635	220	180	42	15	G1/4	85	4—M8	—	G1/2

◇Note: Testing vacuum level -60kPa. Workpiece with smooth and clean surface. The data of pull-out force as above are figured out without considering safety factor. The data may be different according to different workpiece surfaces.

**Spare parts**

Item	Model		Applicable flat circular foam rubber pad
	NF	OF	
Sponge	SOP40NF	SOP40OF	SOP40
	SOP64NF	SOP64OF	SOP64
	SOP92NF	SOP92OF	SOP92
	SOP127NF	SOP127OF	SOP127
	SOP180NF	SOP180OF	SOP180
	SOP220NF	SOP220OF	SOP220

◇Note: Please refer to suction cup with locking fitting and level compensator on page 24.

- SB
- SBA
- SBB
- SBF
- SBOF
- SFT
- STP
- SBL
- SBLP
- SF
- SU
- SUF
- SFG
- STC
- SFF
- SFM
- SDM
- SOB
- SOF
- SOG
- SFP
- SBP
- SXP
- SGP
- SDL
- SH
- SHB
- SZ
- SAN
- SAO
- SPA
- SPC
- SPF
- SPJ
- SPU
- SNP
- SOP**