



SB
SBA
SBB
SBF
SBOF
SFT
STP
SBL
SBLP
SF
SU
SUF
SFG
STC
SFF
SFM
SDM
SOB
SOF
SOG
SFP
SBP
SXP
SGP
SDL
SH
SHB
SZ
SAN
SAO
SPA
SPC
SPF
SPJ
SPU
SNP
SOP

Features

- ◇ Ultrathin(0.25mm) flower-shaped lip design is better to fit a variety of soft bag packaging, to ensure tightness during handling.
- ◇ The inner wedge-shaped support structure can effectively enhance the support strength and ensure the maximum gripping strength
- ◇ The lateral ports of fitting are evenly distributed, which can effectively prevent the soft packaging bag from blocking the port.

Applications

- ◇ Suitable for soft packaging bag(washing powder, laundry detergent, instant noodles, bread in bags, courier bags)

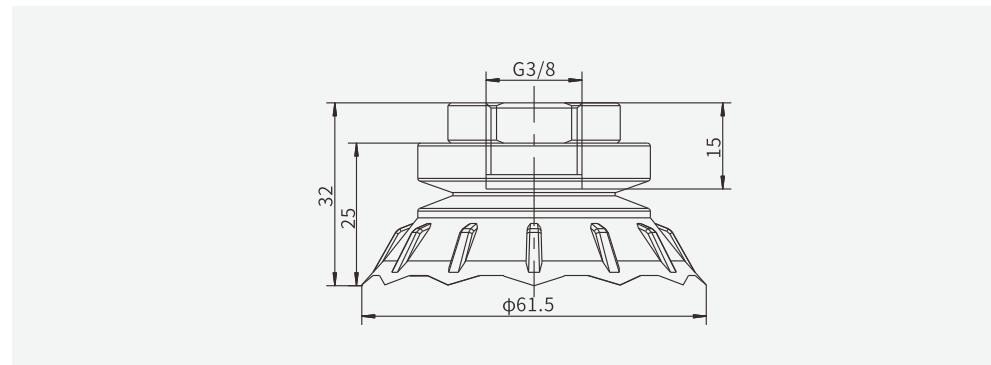
How to order

STP 60 S - G3F

① ② ③ ④

① Series	② Diameter	③ Material & Hardness	④ Connection thread
STP	60-φ60mm	S - Silicone 35	Nil - Suction cup alone G3F - G3/8 Female thread

Dimensions (mm)



Mounting parts

Item	Model
Fitting for suction cup	PJS-G3F-STP60

◇Note: Please refer to suction cup with locking fitting and level compensator on page 24.