

Suction cup type



Sealing gasket(Sponge) type

Features

- ◇ The body made of aluminum alloy, with strong structure and light weight.
- ◇ External vacuum generating device (such as vacuum pump, vacuum blower)
- ◇ Built-in check valve can automatically block free suction port to reduce the loss of vacuum flow.

Applications

- ◇ PCB ◇ Wooden plate ◇ Carton stacking ◇ Carton destacking

How to order

TXM 120×60 A - V
 ① ② ③ ④

① Series	② Dimension	③ Adsorbing type	④ Check valve
TXM	22×38 120×600 22×76 120×800 120×60 120×1000 120×300 120×1200 120×400	A - Sealing gasket(Sponge) type B - Suction cup type (Suction cup model-SPC40S)	Nil - Standard, without check valve V - With check valve

Selection

Model/Specification	A	A-V	B	B-V
TXM22×38	●	—	—	—
TXM22×76	●	—	—	—
TXM120×60	—	●	—	—
TXM120×300	●	●	●	●
TXM120×400	●	●	●	●
TXM120×600	●	●	●	●
TXM120×800	●	●	●	●
TXM120×1000	○	○	○	○
TXM120×1200	○	○	○	○

◇Note: "●"- standard, in stock. "○"-selective,no stock. "—" -unavailable.

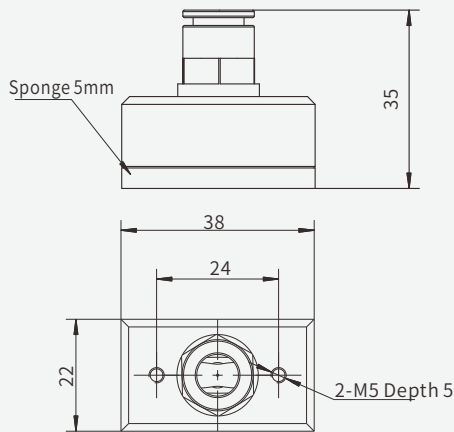
◇Note: TXM series vacuum gripping system excludes vacuum pump. Vacuum pump should be selected according to actual working condition. If need, please consult with AIRBEST for practical application.

Technical parameters

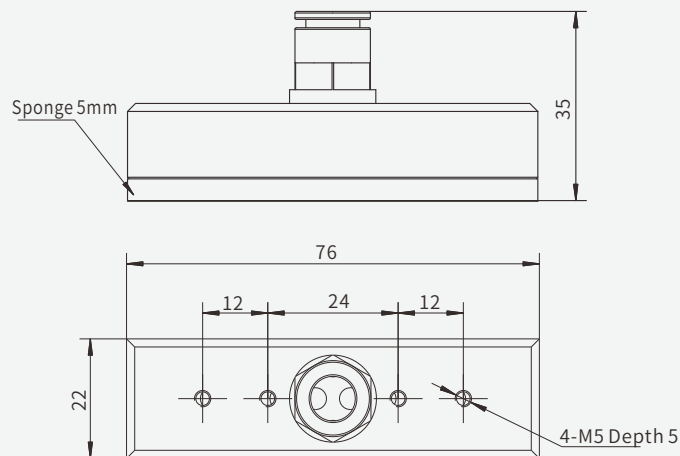
Model	Weigh(kg)				Recommended hose dia.(mm)
	A	A-V	B	B-V	
TXM22×38	0.045	—	—	—	8
TXM22×76	0.068	—	—	—	8
TXM120×60	—	0.4	—	—	8
TXM120×300	2.5	2.6	3.4	3.5	32
TXM120×400	3.2	3.2	4.4	4.5	32
TXM120×600	4.7	4.9	6.2	6.4	32
TXM120×800	6.2	6.4	8.2	8.4	32
TXM120×1000	7.7	7.9	9.5	9.7	63
TXM120×1200	8.9	9.1	10.3	10.6	63

Dimensions (mm)

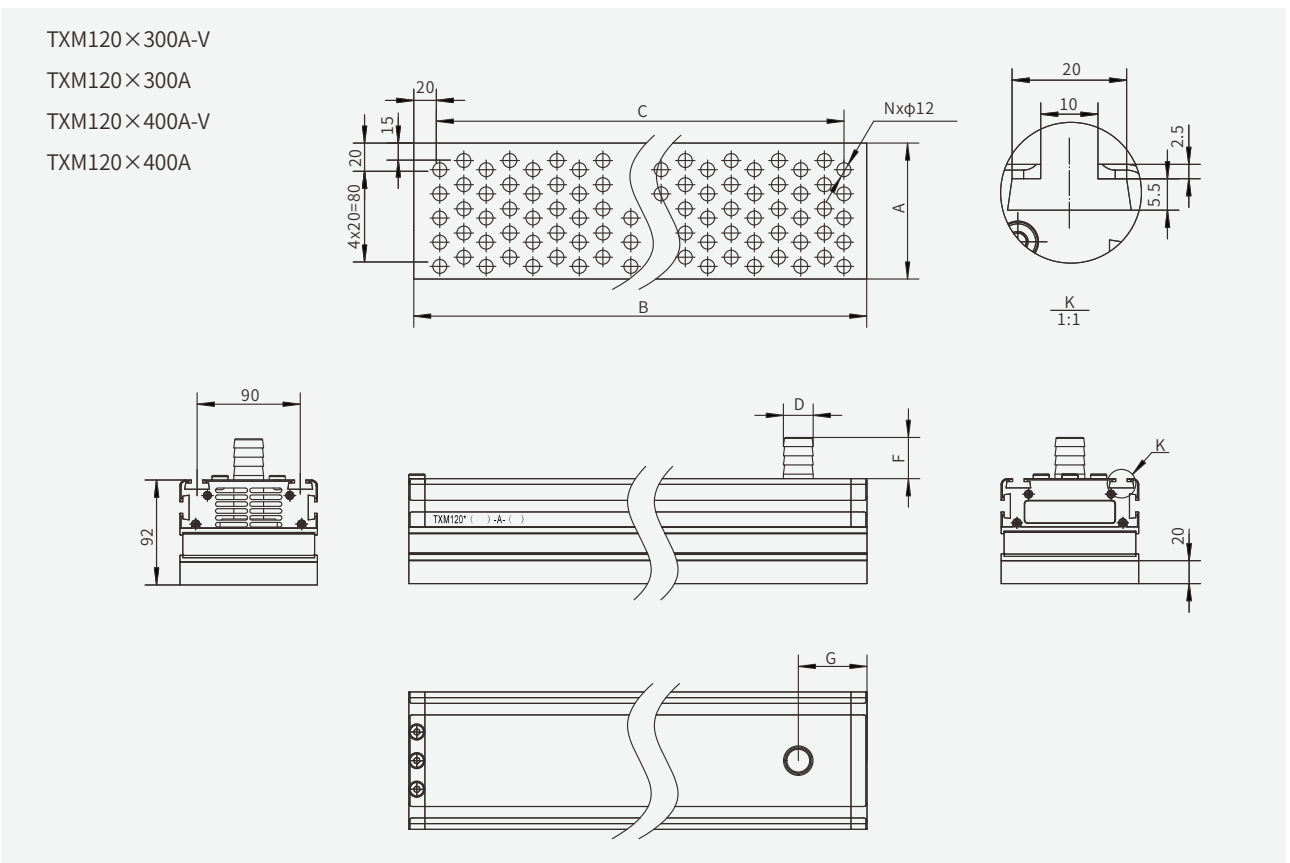
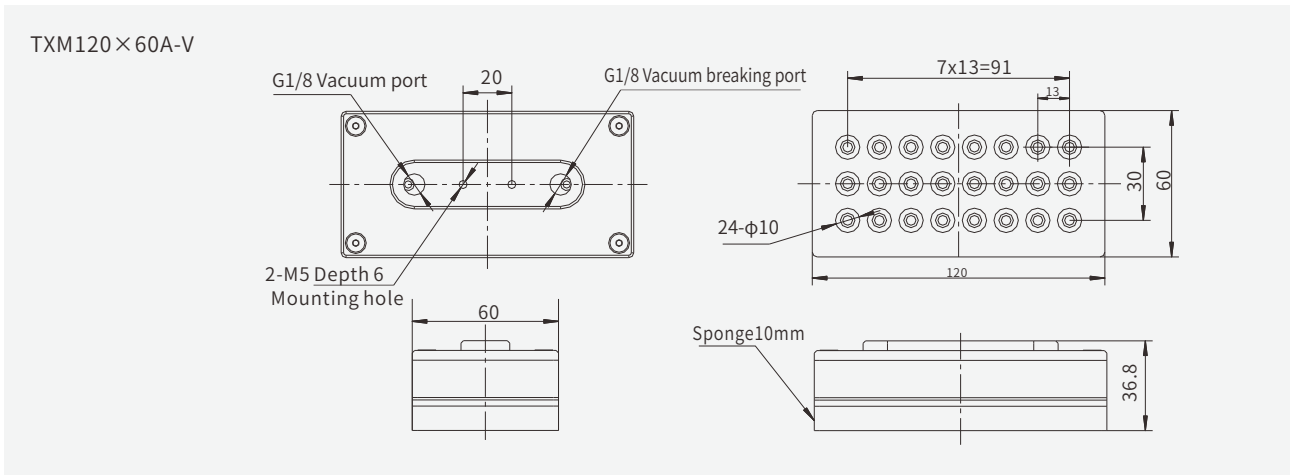
TXM22×38A



TXM22×76A



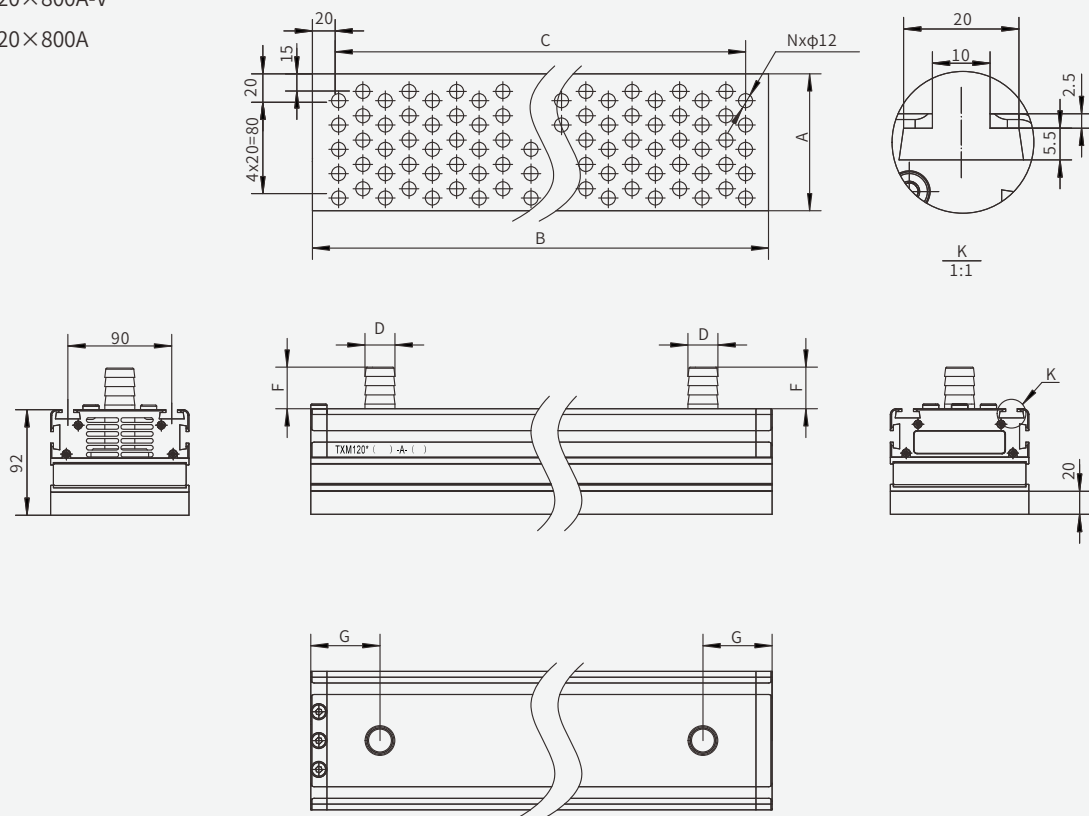
Dimensions (mm)



Model/Size	A	B	C	D	F	G	N(suction hole number)
TXM120×300A-V	120	300	260	Φ25	36	60	70
TXM120×300A							
TXM120×400A-V	120	400	360	Φ25	36	60	95
TXM120×400A							

Dimensions (mm)

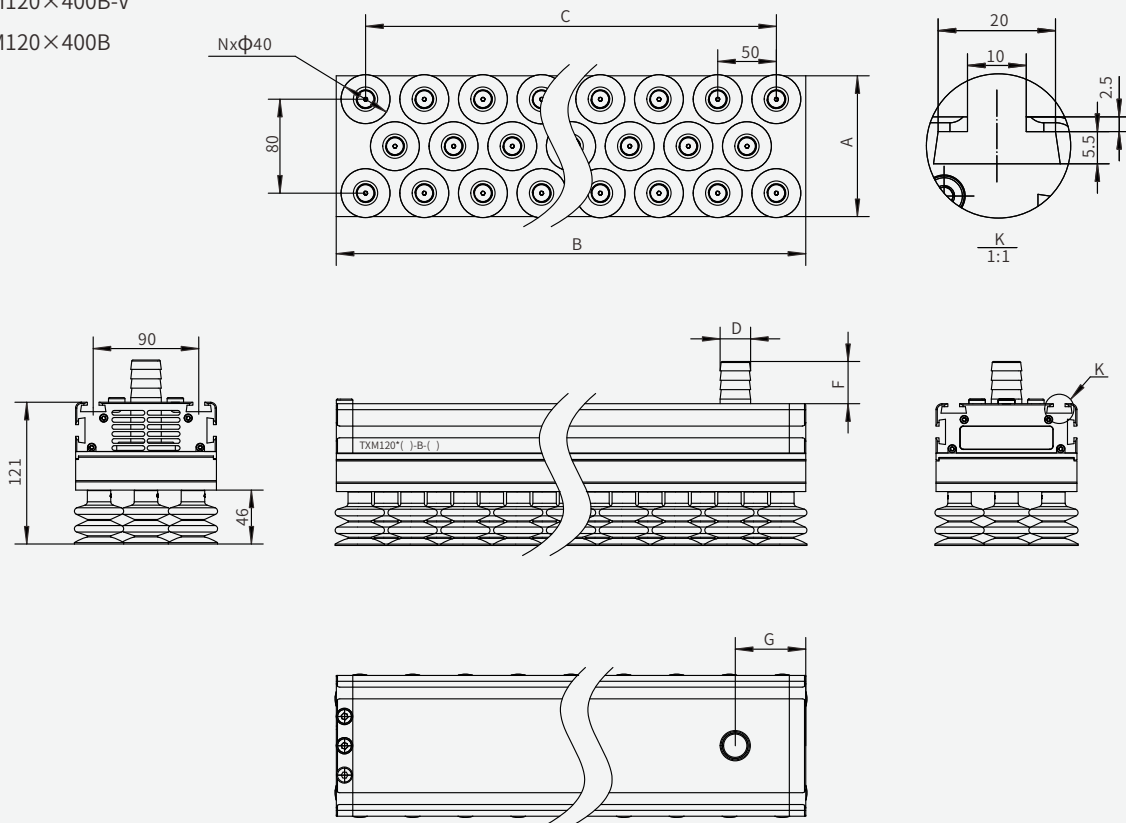
TXM120×600A-V
TXM120×600A
TXM120×800A-V
TXM120×800A



Model/Size	A	B	C	D	F	G	N(suction hole number)
TXM120×600A-V	120	600	560	Φ32	36	60	145
TXM120×600A							
TXM120×800A-V	120	800	760	Φ32	36	60	195
TXM120×800A							

Dimensions (mm)

TXM120×300B-V
TXM120×300B
TXM120×400B-V
TXM120×400B

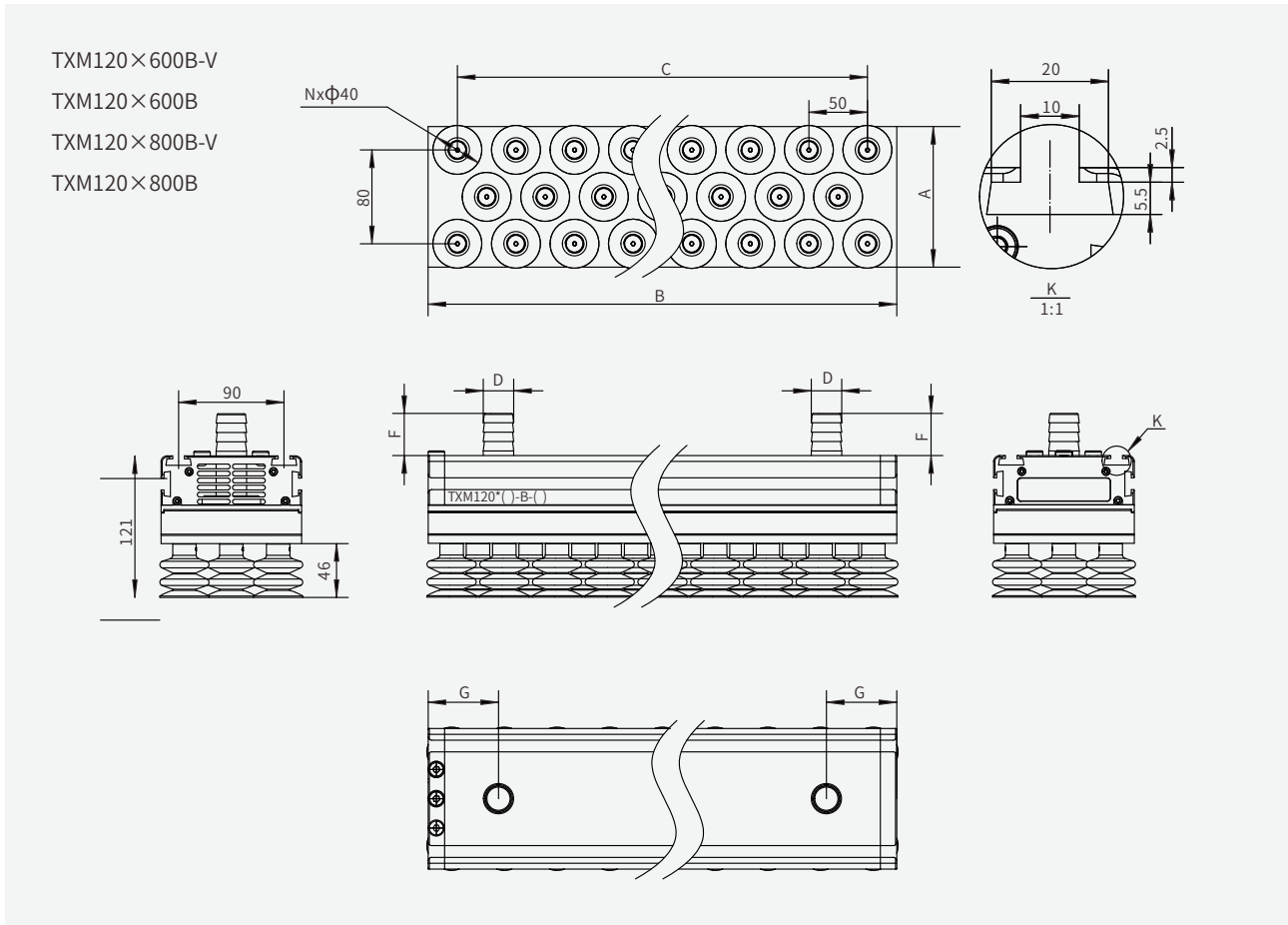


Vacuum gripping system

TXC
TXM

Model/Size	A	B	C	D	F	G	N(suction hole number)
TXM120×300B-V	120	300	250	Φ25	36	60	17
TXM120×300B							
TXM120×400B-V	120	400	350	Φ25	36	60	23
TXM120×400B							

Dimensions (mm)



Model/Size	A	B	C	D	F	G	N(suction hole number)
TXM120×600B-V	120	600	550	Φ33	36	60	35
TXM120×600B							
TXM120×800B-V	120	800	750	Φ33	36	60	47
TXM120×800B							

◇Note: φ8 means hose diameter. For dimension of TXC120x1000 and TXC120x1200, please consult with AIRBEST.

Spare parts

Item	Model	Applicable vacuum gripping system
Sponge	TXC22×38NF	TXM22×38A
	TXC22×76NF	TXM22×76A
	TXC120×60NF	TXM120×60A
	TXC120×300NF	TXM120×300A、TXM120×300A-V
	TXC120×400NF	TXM120×400A、TXM120×400A-V
	TXC120×600NF	TXM120×600A、TXM120×600A-V
	TXC120×800NF	TXM120×800A、TXM120×800A-V