

Features

- ◇ It can effectively prevent solid particles or dust from being sucked into the vacuum pump or system, reduce wear, improve operation reliability, extend the lifetime of vacuum pump, and also effectively protect components of vacuum system (such as vacuum valve, vacuum gauge, etc.).
- ◇ Consist of a steel housing and a lid with quick locking clips. Rugged all steel construction for heavy duty applications. Quickly exchangeable filter element. Large dirt holding capacity and easy cleaning. High filtration precision up to 99% (10µm particles), and the gas temperature is -15~90°C.
- ◇ Various nominal flow rate for option.

Application

- ◇ Suitable for dusty environments, removal efficiency reaches 99%.
- ◇ Effectively filters incoming air and protects vacuum generating devices (such as vacuum pumps and blowers).

How to order

ZFP 30

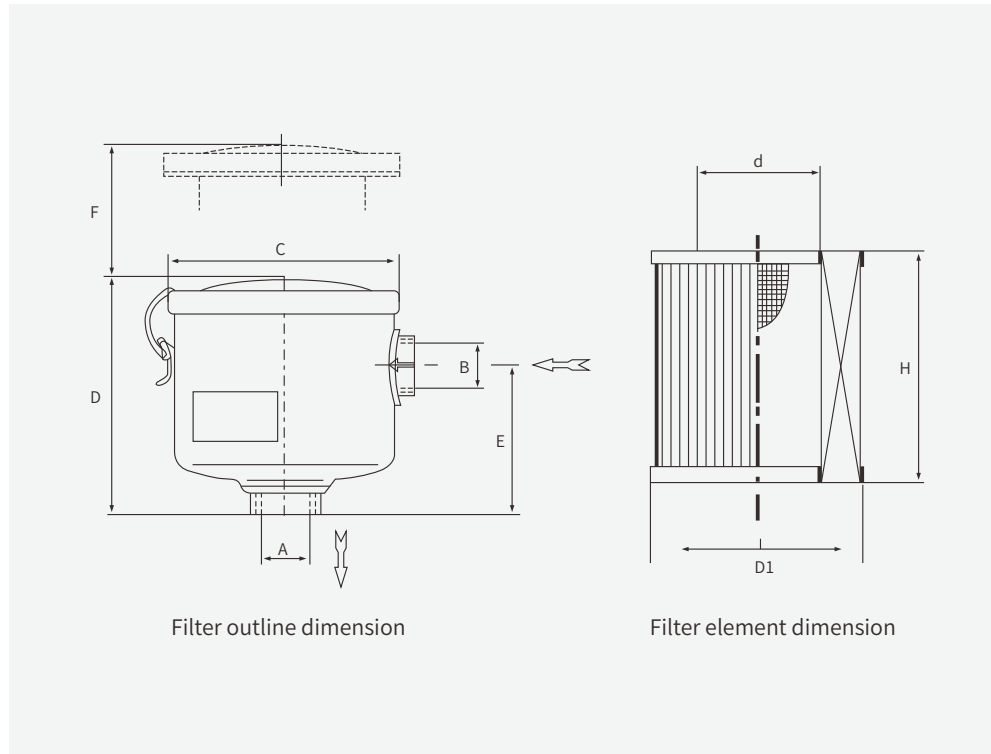
① ②

① Series	② Nominal flow
ZFP	30 - 32m ³ /h
	40 - 42m ³ /h
	100 - 100m ³ /h
	120 - 120m ³ /h
	300 - 300m ³ /h

Technical parameters

Model	Material	Temperature range (°C)	Removal efficiency (µm)	Weight (kg)	Nominal flow (m ³ /h)
ZFP30	Aluminum alloy	-15~90	10	1	32
ZFP40				1	42
ZFP100				1.4	100
ZFP120				2.3	120
ZFP300				6.9	300

Dimensions (mm)



Model/ Size	A	B	C	D	E	F	D1	d	H
ZFP30	G1/2	G1/2	101	90	53	70	65	38	69
ZFP40	G3/4	G3/4	101	90	53	70	65	38	69
ZFP100	G1"1/4	G1"1/4	146	110	70	75	98	60	70
ZFP120	G1"1/4	G1"1/4	185	170	115	130	128	64	125
ZFP300	G2"	G2"	222	258	125	240	150	88	222

Repair kits

Filter element

Model	Applicable vacuum filter
ZFP30-FE	ZFP30, 40
ZFP100-FE	ZFP100
ZFP120-FE	ZFP120
ZFP300-FE	ZFP300

- ZFA
- ZFB
- ZFL
- ZFP**
- ZVAB
- ZVAC
- ZVAA
- ZVEA
- ZVEV
- ZVR
- ZVT
- ZPDA
- ZPDB
- ZCE
- ZSA
- ZPMR